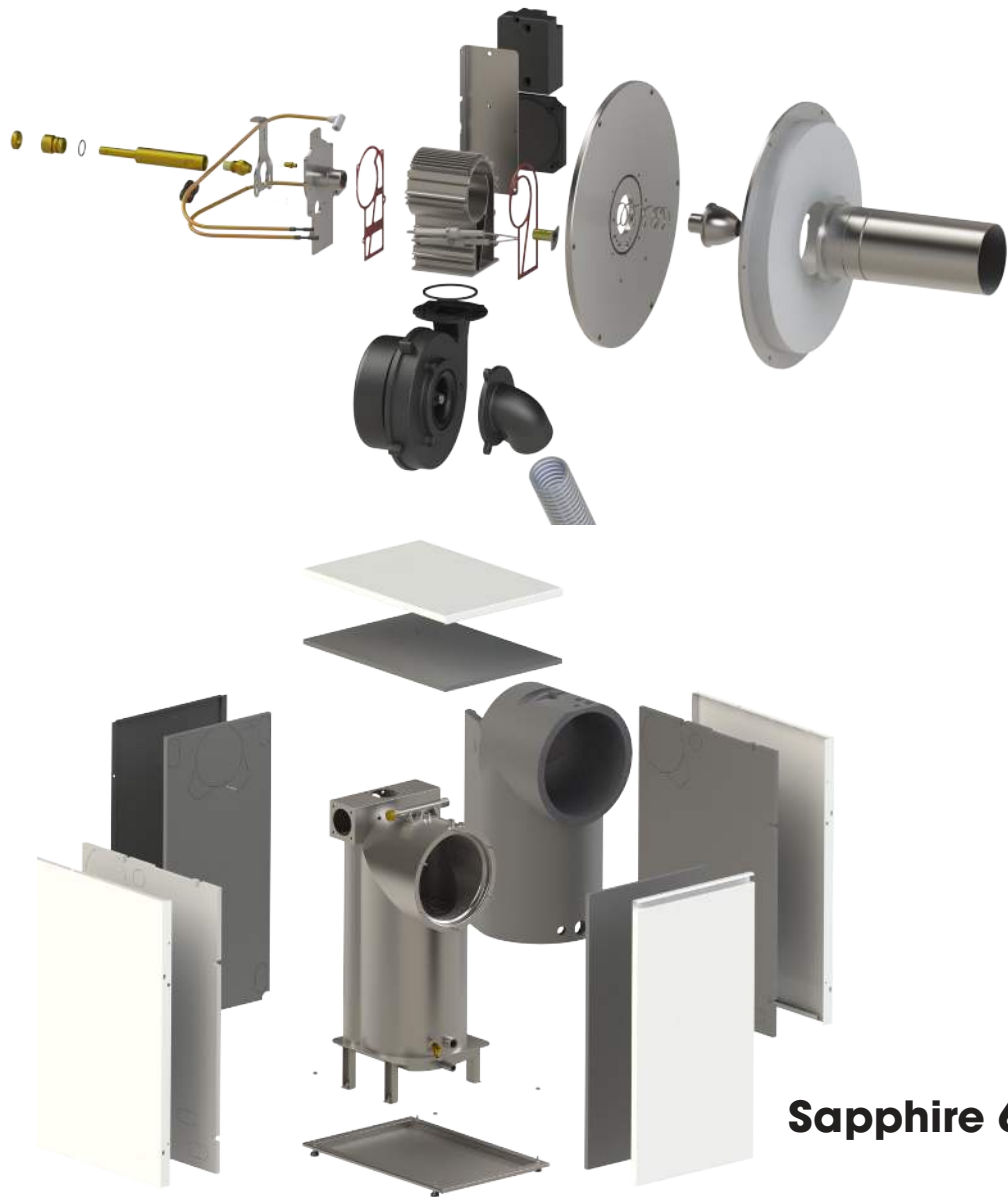




Spare Parts Lists Sapphire Internal



Sapphire 6-32kW



Burner Exploded View

Burner spare parts



Fig. 1

Please refer to the next page to find spare part identification

Burner Exploded View

| Labelled Number | Part Number | Description |
|-----------------|-------------------|---|
| 1 | B14-0003 | KLC Mounting Flange |
| 2 | D01-030H8306 | 0.40 x 80 EH (23kW Version) |
| | D01-030H8308 | 0.50 x 80 EH (28kW Version) |
| | D01-030H8310 | 0.55 x 80 EH (32kW Version) |
| 3 | E80-0601 | HT-Leads (Sold Individually) |
| 4 | SS-BURN-050-01 | Air Pressure Switch DL2 with Plastic Cover/Screw |
| 5 | SS-HOSEKIT-001-01 | 1.5m Air Intake Hose kit (incs hose, Burner/Flue Adator & Gasket) |
| 6 | SS-BURN-001-02 | Flange Plate V2 |
| 7 | SS-BURN-002-03 | Air box to flange sealing gasket - FKM |
| 8 | SS-BURN-003-01 | Sight Glass |
| | SS-BURN-004-01 | Sight glass tube |
| 9 | SS-BURN-005-02 | Ignition electrode set (incs Electodes, Bolt, Plate and Gasket) |
| | SS-BURN-052-02 | Electrode Gasket Washer 1mm |
| 10 | SS-BURN-006-01 | Air Box 73mm |
| 11 | SS-BURN-007-01 | Air box to housing plate sealing gasket |
| 12 | SS-BURN-008-01 | Fan Housing Plate |
| 13 | SS-BURN-009-01 | Nozzle Holder Locking Plate |
| 14 | SS-BURN-010-01 | Air Pressure test point (incs seal) |
| 15 | SS-BURN-012-01 | Nozzle Holder |
| 16 | SS-BURN-013-01 | Nozzle Holder Adjuster |
| | SS-BURN-014-01 | Nozzle Holder Locking Screw |
| | SS-BURN-015-01 | Nozzle Holder O-Ring (21x6) |
| 17 | SS-BURN-016-01 | Nozzle head 16mm (23kW Version) |
| | SS-BURN-017-01 | Nozzle head 19mm (28/32kW Version) |
| 18 | SS-BURN-018-01 | Nozzle Head Spring |
| 19 | SS-BURN-020-03 | Fan Motor ORing 52x3.5mm Nitrile |
| 20 | SS-BURN-031-01 | Mounting flange gasket |
| 21 | SS-BURN-033-01 | Fan Motor |
| 22 | SS-HOSEKIT-001-01 | 1.5m Air Intake Hose kit (incs hose, Burner/Flue Adator & Gasket) |
| 23 | SS-BURN-043-01 | Air pressure switch tubing (25cm) |
| 24 | SS-BURN-044-01 | Graphite Seal - Fan Seal (18cm) |
| 25 | SS-BURN-048-01 | EBI Ignition Transformer 230v |
| | | |
| 27 | SS-BURN-053-01 | 140mm Blast tube base 1mm Slots |
| 28 | SS-CASE-027-01 | Transformer Pr/Sw Bracket |
| 29 | SS-WIRE-001-01 | KLC20/24 24V DC Flame Detector with fixed 450 mm Cable |

PCB Exploded View

PCB spare parts

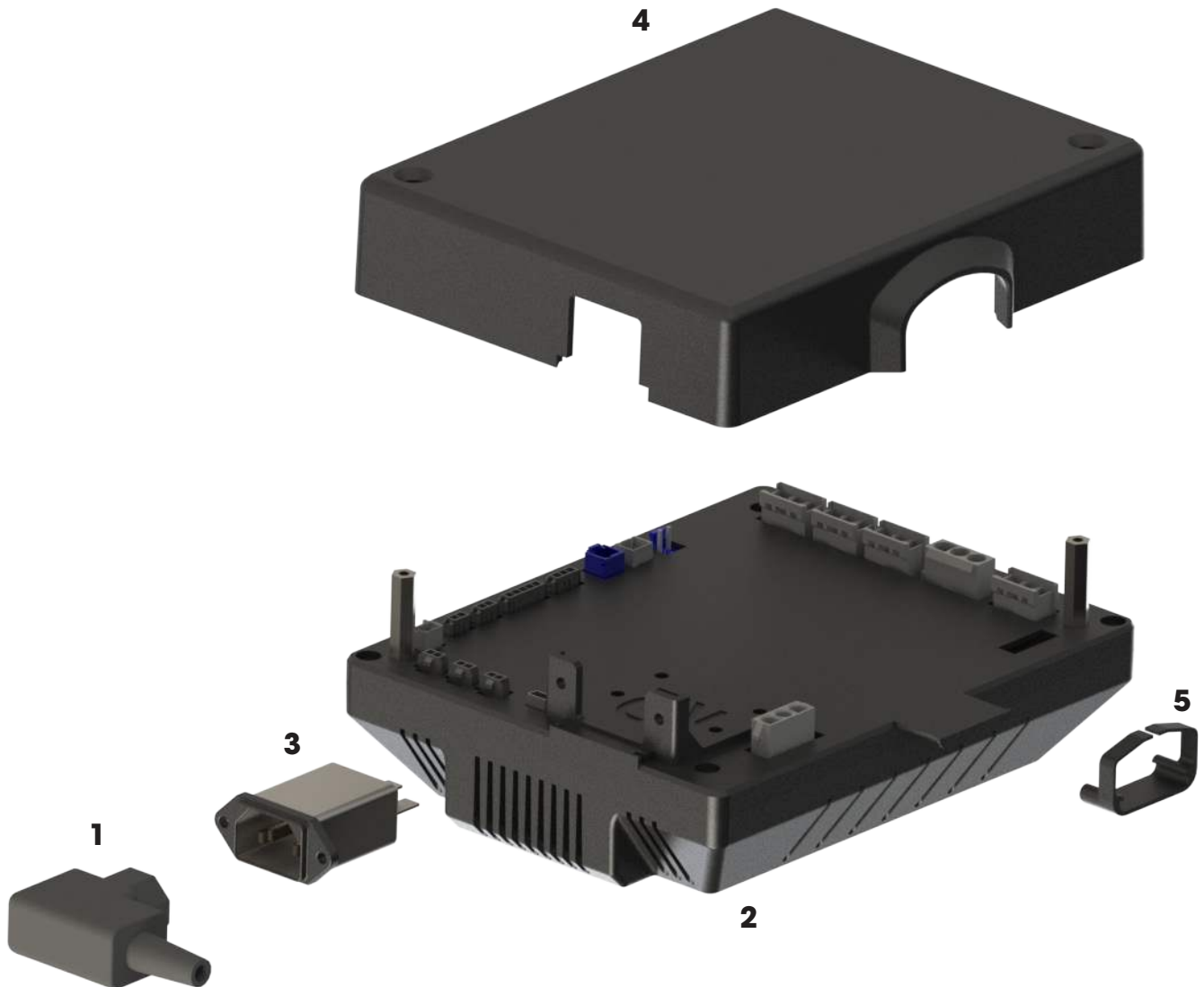


Fig. 2

| Labelled Number | Part Number | Description |
|-----------------|------------------|--|
| 1 | SS-LOOM-014-01 | Mains supply Cable (Switch to PCB) |
| 2 | SS-PCBKIT-001-05 | PCB pre made Kit (Also includes item 3) |
| 3 | SS-PCB-004-01 | Filtered IEC Power Socket, IEC C14, 3 A, 250 VAC |
| 4 | SS-PCB-008-01 | PCB Cable cover |
| 5 | SS-PCB-012-01 | Cable capture clip |

Top Tray Exploded View

Top Tray spare parts

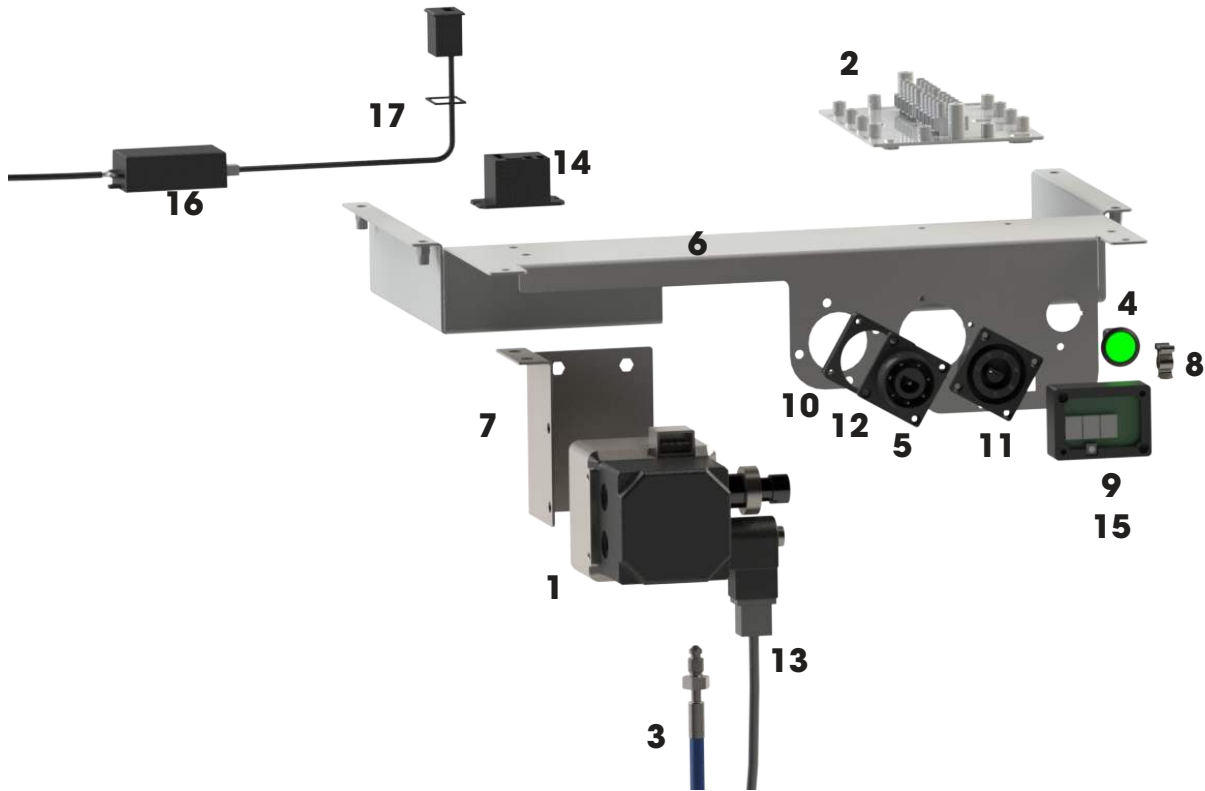


Fig. 3

| Labelled Number | Part Number | Description |
|-----------------|--------------------|--|
| 1 | D01-071N1006 | BFPM61 Solenoid coil |
| | D01-071N4106 | BFPM61 Oil Pump |
| | D01-071N4214 | BFPM61 Motor lead |
| | D01-071N4215 | BFPM61 Transducer lead |
| 2 | H01-42002116-002 | Wiring centre - 10-way junction box |
| 3 | SS-BURN-038-01 | Flexible pipe |
| 4 | SS-CASE-012-01 | On/Off Switch |
| 5 | SS-CASE-013-01 | Bulking plug spacer |
| 6 | SS-CASE-026-02 | Top Support Tray - BRILLIANT WHITE |
| 7 | SS-CASE-028-01 | Pump Mounting Bracket - SS |
| 8 | SS-HEX-015-01 | 13mm Spring clip for Fire Valve Sensor |
| 9 | SS-LCDKIT-001-03 | LCD Display Kit |
| 10 | SS-LOOM-004-01 | Fan Loom |
| 11 | SS-LOOM-005-01 | Burner Loom |
| | SS-LOOM-006-01 | PCB to Burner Socket |
| 12 | SS-LOOM-007-01 | PCB to Fan Socket |
| 13 | SS-LOOM-010-01 | BFPM61 Pump solenoid lead |
| 14 | SS-RELAYKIT-001-01 | Switched Live Relay kit |
| 15 | SS-WIRE-006-01 | Coiled USB Angled to Angled lead |
| 16 | SS-WIRE-007-01 | USB 5v Power Supply |
| 17 | SS-WIRE-009-01 | Spacer for USB 5v Socket |

Oil Line Connections View

Fuel connection spare parts



Fig. 4

| Labelled Number | Part Number | Description |
|-----------------|----------------------|--|
| 1 | F11-0440-A-14M-S-14F | Flexible 440mm Ruby Red Angled 1/4M x 1/4F |
| 2 | SS-CASE-031-01 | Nozzle Holder Service Support clip |

Boiler Exploded Components View

Heat exchanger spare parts



Fig. 5

Please refer to the next page to find spare part identification

Boiler Exploded Components View

| Labelled Number | Part Number | Description |
|-----------------|--------------------|--|
| 1 | SS-ACCESS-001-01 | 3/4" BSP Stop Cap & Washer |
| 2 | SS-ACCESS-002-01 | 3/4" to 22mm Straight Compression Adaptor Female |
| 3 | SS-ACCESS-003-01 | 3/4" to 22mm Straight Compression Adaptor Male |
| 4 | SS-ACCESS-004-01 | Air Intake Flue Adaptor |
| 5 | SS-HOSEKIT-001-01 | 1.5m Air Intake Hose kit (incs hose, Burner/Flue Adaptor & Gasket) |
| 6 | SS-ACCESS-006-01 | M6 x 16 Hex Socket SS Button Head |
| | E80-406-502-018-00 | M6 x 12 x 1.5 PTFE Washer |
| 7 | SS-ACCESS-008-01 | Flue Air Adaptor Intake gasket |
| 8 | SS-ACCESS-018-01 | M6 X 16 Hex Socket Flanged SS Button Head |
| | E80-406-502-018-00 | M6 x 12 x 1.5 PTFE Washer |
| 9 | SS-ACCESS-027-01 | Condensate Flexi Pipe |
| 10 | SS-CASE-015-02 | Right hand bottom frame BLACK |
| 11 | SS-CASE-016-02 | Left hand bottom frame BLACK |
| 12 | SS-CASE-017-02 | Left-Hand Angled Frame Support - BLACK |
| 13 | SS-CASE-018-02 | Right-Hand Angled Frame Support - BLACK |
| 14 | SS-CASE-019-02 | Left hand frame upright - BLACK |
| 15 | SS-CASE-020-02 | Right hand frame upright - BLACK |
| 16 | SS-CASE-029-02 | Controls Support plate - BLACK |
| 17 | SS-CASE-031-01 | Nozzle Holder Service Support clip |
| 18 | SS-HEX-001-01 | Heat Exchanger - 32kw + Tray |
| 19 | SS-HEX-002-01 | 1/2" BSP Drain Cock |
| 20 | SS-HEX-003-01 | Thermostat Pocket |
| 21 | SS-HEX-004-01 | Air Vent - 1/8" BSP PM |
| 22 | SS-HEX-005-01 | Secondary Overheat Stat 110 degrees |
| 23 | SS-HEX-006-01 | Primary Overheat Stat 95 degrees |
| 24 | SS-HEX-008-01 | Flue Gas Analysis Silicon Plug |
| 25 | SS-HEX-009-01 | HEX Flue Blanking Plates |
| 26 | SS-HEX-010-05 | HEX Flue Adaptor Gasket - Viton 3mm |
| 27 | SS-HEX-030-01 | HEX Blanking Plate Gasket - Viton 3mm |
| 28 | SS-LOOM-009-01 | PT sensor cable |
| 29 | SS-TRAP-006-02 | Trap Union Nipple (Stainless Steel 316) |
| 30 | SS-TRAP-007-01 | Trap Union PTFE Washer |
| 31 | SS-TRAPKIT-001-01 | Condensate Trap |
| 32 | SS-TRAPPUMP-002-02 | Condensate Bolt on Kit |
| 33 | SS-WIRE-008-01 | USB to USB Mini Extension lead 500mm |

Boiler Exploded Casings View

Casings spare parts



Fig. 6

| Labelled Number | Part Number | Description |
|-----------------|------------------|---|
| 1 | SS-CASE-001-02 | Casing Acoustic (Top Casing) |
| 2 | SS-CASE-002-02 | Casing Acoustic (Left Casing) |
| 3 | SS-CASE-003-02 | Casing Acoustic (Right Casing) |
| 4 | SS-CASE-004-02 | Casing Acoustic (Rear Casing) |
| 5 | SS-CASE-005-02 | Casing Acoustic (Door Casing) |
| 6 | SS-CASE-021-02 | Boiler Casing Door - BRILLIANT WHITE |
| | - SS-CASE-007-01 | Stud Latch M5 |
| 7 | SS-CASE-022-02 | Boiler Top Casing Panel - BRILLIANT WHITE |
| | - SS-CASE-007-01 | Stud Latch M5 |
| 8 | SS-CASE-023-02 | Boiler Rear Casing Panel - BLACK |
| 9 | SS-CASE-024-02 | Boiler Left Casing Panel - BRILLIANT WHITE |
| | - SS-CASE-008-01 | Clip Latch |
| 10 | SS-CASE-025-02 | Boiler Right Casing Panel - BRILLIANT WHITE |
| | - SS-CASE-008-01 | Clip Latch |
| 11 | SS-HEX-007-01 | Heat Exchanger Insulation Jacket |



Reliable energy. Flexible approach.

EOGB Energy Products Ltd, 5 Howard Road, Eaton Socon, St Neots, Cambridgeshire PE19 8ET

Tel: 01480 477066

Email: sales@sapphireheatsolutions.co.uk

Web: sapphireheatsolutions.co.uk



www.youtube.com/EOGBenergyproducts



[sapphireheatsolutions](https://www.instagram.com/sapphireheatsolutions)